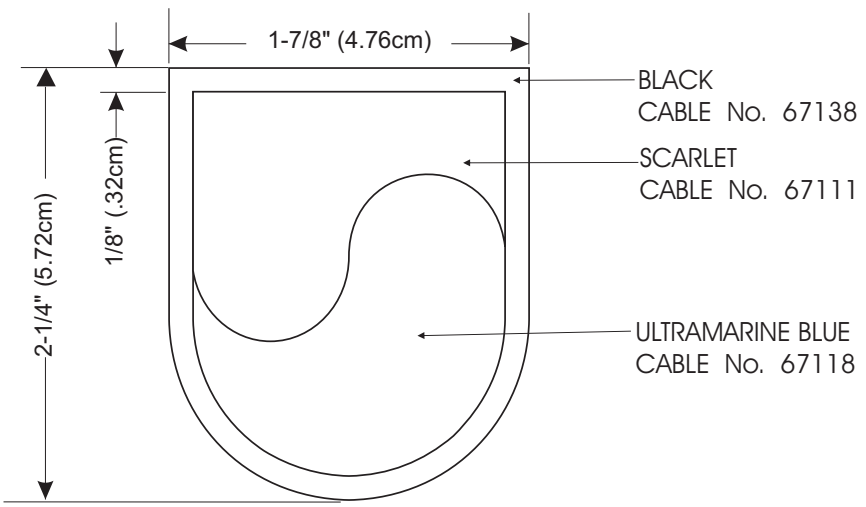


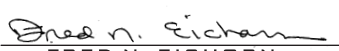
REVISIONS			
LTR	DESCRIPTION	DATE	APPROVED



DESIGNED FOR OVEREDGE STITCHING

UNLESS OTHERWISE SPECIFIED DIMENSIONS ARE IN INCHES
TOLERANCES ON FRACTIONS DECIMALS ANGLES

MATERIALS:
TO BE MANUFACTURED IN ACCORDANCE WITH MIL-DTL-14652

EXAMINED	<i>SWH</i>	
CHECKED	JPS	<i>pm</i>
PREPARED	RLR	
APPROVED	 FRED N. EICHORN DIRECTOR	

THE INSTITUTE OF HERALDRY, U.S. ARMY
9325 GUNSTON RD. S-112 FORT BELVOIR, VA 22060-5579

BERET FLASH FOR
SPECIAL OPERATIONS COMMAND KOREA

SIZE	CONTROL IDENT. NO	
A	22571	A - 4 - 194
SCALE	FULL	DATE
		16 APRIL 2003